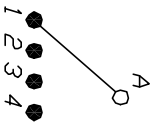
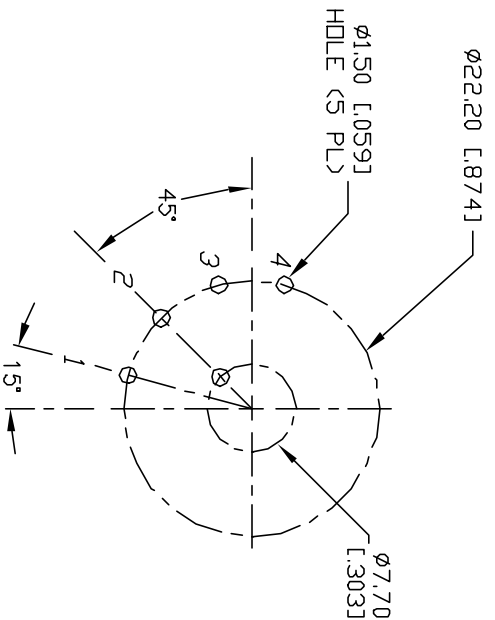


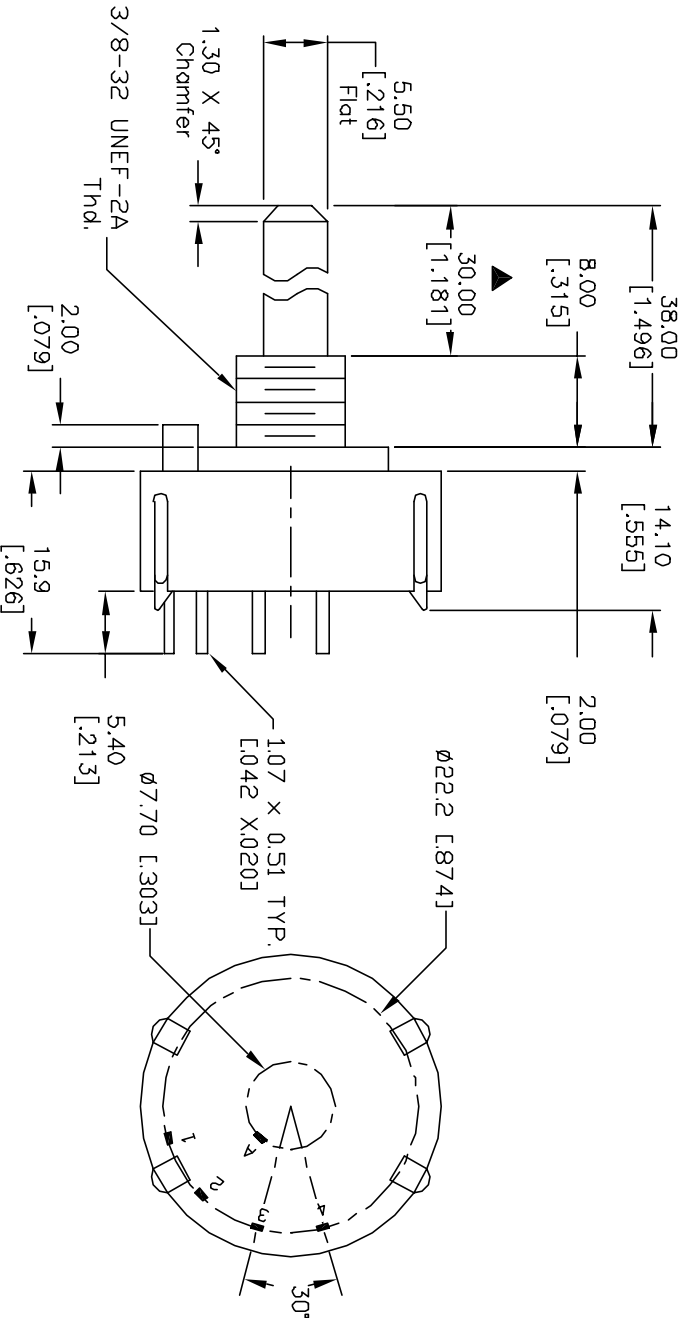
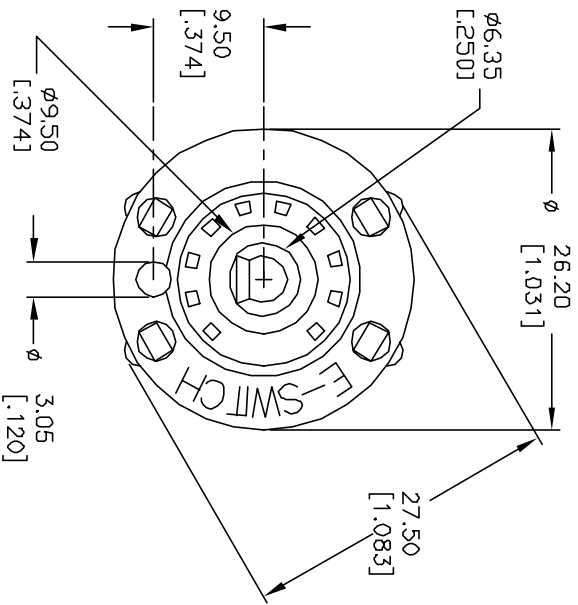
- NOTES:
1. ALL DIMENSION IN MM [INCH]
  2. GENERAL TOLERANCE: X.X=±0.4  
X.XX=±0.25
  3. TERM. NOS. FOR REF. ONLY
  4. CONTACT RATING SWITCHING: 150mA, 250V AC/DC  
350mA, 110V AC/DC
  5. CONTACT MATERIAL: GOLD FLASH OVER COPPER ALLOY.
  6. OPERATING FORCE: 425±100 CM/STANDARD
  7. OPERATING TEMP: -30° to 85°C
  8. CIRCUIT SP: 4 POSITIONS, 30° INDEX.
  9. DESIGNATE MAJOR DIMENSIONS
  10. LOCK NUT AND WASHER NOT SHOWN.



CONTACT CONFIGURATION (BBM)



RECOMMENDED P.C.B. LAYOUT



**E-SWITCH®**

REV.		ECN No.	DESCRIPTION	DATE	CHKD	SCALE	DATE	DR	DWG	REV
A		11272	RELEASED FOR PRODUCTION	2/27/01	CJB	1.5:1	2/27/01	CJB	G510906	A
TITLE: KC-14-A-01-N-P-F THE INFORMATION CONTAINED IN THIS DOCUMENT IS PROPRIETARY TO E-SWITCH AND IS NOT TO BE COPIED OR TRANSFERRED										